



SMXir Keypad/Display with Remote Shown

Cruisair offers two different SMX microprocessor control systems for use with direct expansion (DX) air-cooled air conditioning systems. SMX II offers the standard operational and safety features required for most systems. SMX Online is used when auxiliary electric heat is required. The SMX II or SMX Online power/logic module is sold separately and simply wires to the condensing unit. Either system can be retrofitted in the field to replace an electromechanical switch assembly.

Normal operation consists of simply turning the system on by pressing either the Cool or Heat buttons and adjusting the temperature set point. Fan speed is automatically controlled (fan speed decreases as room temperature approaches setpoint), or the fan speed can be manually set.

The dehumidification mode can be used to operate the system on a timed basis so the vehicle will stay ventilated and dry even when left unattended.

Line voltage and refrigerant high and low pressure is constantly monitored and if a problem is detected, the system will shut down and show the fault on the display.

Many of the system parameters can be changed to allow the user to fine-tune the system to best suit the vehicle, and personal preferences. (See the chart on the back of this sheet for a list of programmable functions.) A nonvolatile memory retains current operation mode and all programmable settings when power is turned off or lost.

In addition to all the standard SMX functions listed above, the SMX Online system allows for control of auxiliary electric heat, either with a cooling-only condensing unit or a reverse-cycle unit. SMX Online also features outside temperature display.

### SMX Keypad/Displays

Two different keypad/displays are available, depending on the desired style. The SMXir and the SMXLB keypad/displays can be used with either the SMX II or the SMX Online control system.

The SMXir keypad/display has an attractive, compact housing with a hinged door with easy surface-mount installation. An optional infrared remote control is available that allows system adjustments to be made remotely. SMXir is available in black or white, and with either a 3/4 or full coverage door. When using SMXir, a CXP type connecting cable must be used.

The SMXLB keypad/display mounts flush, which requires a rectangular cutout in the wall (making it ideal for older 3-knob retrofit systems). It has black buttons, and a separate decorative snap-on cover plate is available in black or white. The SMXLB uses the CXP type cable, along with an A-913 adapter.

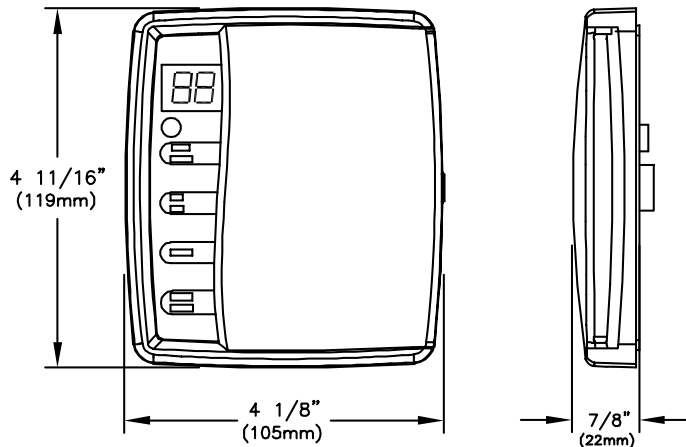
Both keypad/displays have large, easy-to-read LED displays that show room temperature, setpoint, programming prompts, and fault code warnings. Small LED's indicate system status. They are designed for the harsh mobile environment, with a plastic housing, sealed membrane keypad, and electronics with anticorrosion coating.

A complete system consists of a SMX II or SMX Online Power/Logic module, SMXir or SMXLB keypad/display, a CXP or CX connecting cable, and a TSEP temperature sensor. A second TSEP temperature sensor is required for outside temperature with SMX Online systems.

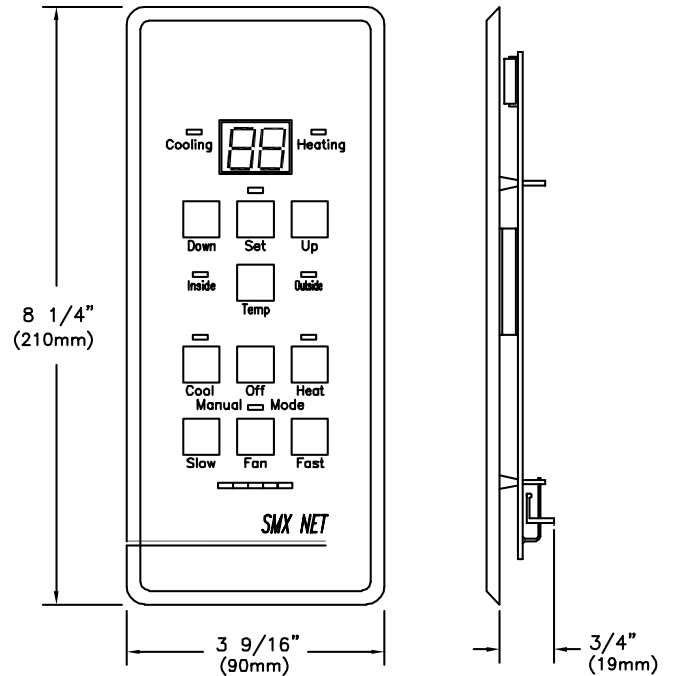


SMXLB/PLB Shown

## SMXir



## SMXLB



## Features

- Microprocessor control system
- Automatic/manual fan speed control
- Inside temperature display
- Outside temperature display (SMX Online only)
- Dehumidification program
- Nonvolatile Memory
- High and low refrigerant pressure shutdown
- Low voltage protection
- Auxiliary Heat Control (SMX Online only)
- Brightness control
- Choice of 2 keypad/displays (SMXir and SMXLB)
- Optional Remote (SMXir keypad only)

## Programmable Functions

- Factory memory reset
- High and low fan speed adjustment
- Compressor time delay
- Compressor response differential
- Fahrenheit/Celsius display
- Fan response differential
- Continuous/intermittent fan
- Temperature calibration
- Line voltage calibration
- Dehumidification cycle

### Dometic Corporation

Environmental Systems

P.O. Box 15299 • Richmond, VA 23227-0699 USA • Phone: 804-746-1313 • Facsimile: 804-746-7248  
2000 N. Andrews Ave. Ext. • Pompano Beach, FL 33069-1497 USA • Phone: 954-973-2477 • Facsimile: 954-979-4414  
For Sales and Service Calls within Europe and the Middle East, Please contact +44 (0) 870 330 6101

Email: sales@cruisair.com • Website: www.cruisair.com

Sold and Serviced By: