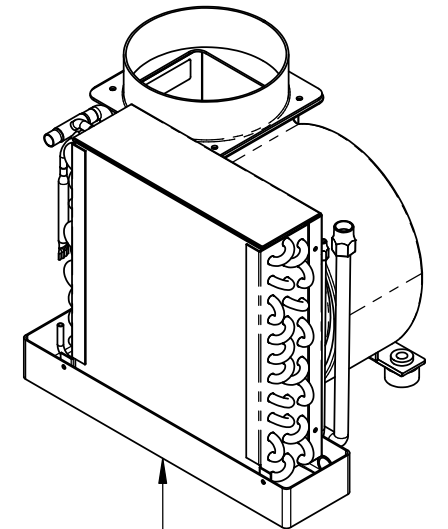


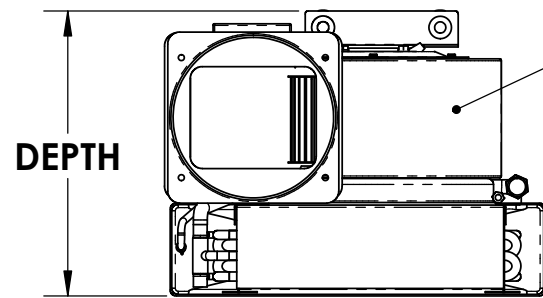
Item Number	Model	Capacity	Voltage (50/60Hz)	Blower Amps	Height (in/mm)		Width (in/mm)		Depth (in/mm)		Weight (lb/kg)		Air Flow (cfm/cmh)		Refrigerant Line Size Discharge Suction		Min. Grill Sizes (sq in/cm) Return Discharge		Min. Duct Size (in/mm)
715000401	REU4	4,000	115	0.78	9.25	234.95	12.50	317.50	9.25	234.95	10.00	4.54	133	225.99	1/4"	3/8"	64/413	32/206	4/102
715010402	REU4C		230	0.51									166	282.07			80/516	45/290	
715000502	REU5	5,000	115	0.78	11.25	285.75	13.75	349.25	10.00	254.00	14.00	6.35	233	395.91	1/4"	3/8"	89/574	47/303	5/127
715010501	REU5C		230	0.51									266	451.99			100/645	60/387	
715000701	REU7	7,000	115	1.74	13.25	336.55	15.75	400.05	11.75	298.45	24.00	10.89	333	565.83	1/2"	3/8"	130/839	70/452	6/152
715010702	REU7C		230	0.98									400	697.68			160/1032	80/516	
715000802	REU8	8,000	115	1.74	13.25	336.55	15.75	400.05	11.75	298.45	24.00	10.89	266	451.99	1/2"	3/8"	80/516	45/290	5/127
715010801	REU8C		230	0.98									333	565.83			130/839	70/452	
715001003	REU10	10,000	115	1.32	13.25	336.55	15.75	400.05	11.75	298.45	24.00	10.89	333	565.83	1/2"	3/8"	130/839	70/452	6/152
715011001	REU10C		230	0.66									400	697.68			160/1032	80/516	
715001202	REU12	12,000	115	1.12	13.25	336.55	15.75	400.05	11.75	298.45	24.00	10.89	400	697.68	1/2"	3/8"	130/839	70/452	6/152
715011203	REU12C		230	0.56									533	905.67			160/1032	80/516	
715001601	REU16	16,000	115	2.09	13.25	336.55	15.75	400.05	11.75	298.45	24.00	10.89	533	905.67	1/2"	3/8"	160/1032	80/516	7/178
715011604	REU16C		230	0.56															

Model Shown: REU16



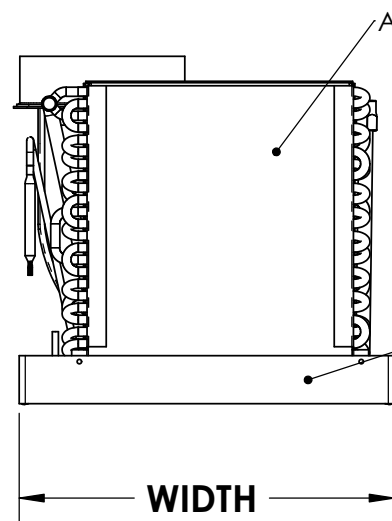
WATER DISPLACING CONDENSATE PAN

MODEL INTERPERTATION:			
<b>RE</b> Model Type Remote Evaporator	<b>U</b> Blower Type U: high-efficiency PSC internal blower motor Blank: shaded pole external blower motor	<b>12</b> Capacity x 1,000 BTU/Hr	<b>C</b> Voltage C: 230V Blank: 115V



DEPTH

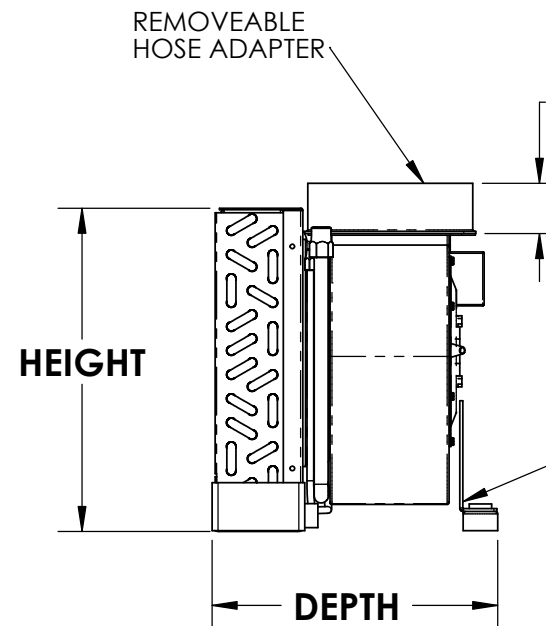
MODEL IS FULLY INSULATED WITH CLOSED CELL FOAM.



WIDTH

AIR FILTER INCLUDED

WATER DISPLACING CONDENSATE PAN FULLY INSULATED AND INCLUDES ANTIFUNGUL, ANTI-SLOSH FOAM



HEIGHT

DEPTH

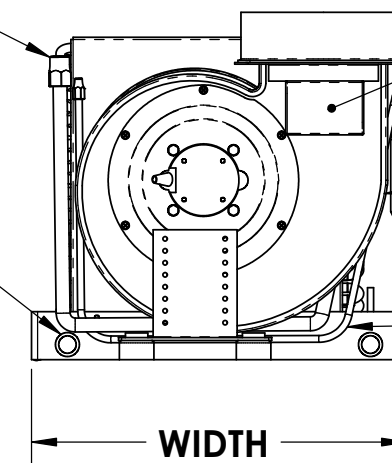
REMOVEABLE HOSE ADAPTER

53.181  
2 3/32"

BLOWER MOUNTING FOOT INCLUDED WITH (2) VIBRATION ISOLATION GROMMETS

FLARE FITTING STANDARD (QUICK CONNECTS OPTIONAL)

1/2" FEMALE PIPE THREAD DRAIN FITTINGS TYPICAL (2)



WIDTH

ELECTRICAL BOX (CUSTOMER CONNECTION LOCATION)

TYPICAL BLOWER POSITION (CAN BE ROTATED DURING INSTALLATION)

TYPICAL LINE SET PLACEMENT  
Note: RE20-24C Line Set Runs in Opposite Direction.

**PROPRIETARY AND CONFIDENTIAL**  
THE INFORMATION CONTAINED IN THIS DRAWING IS THE SOLE PROPERTY OF <INSERT COMPANY NAME HERE>. ANY REPRODUCTION IN PART OR AS A WHOLE WITHOUT THE WRITTEN PERMISSION OF <INSERT COMPANY NAME HERE> IS PROHIBITED.

		UNLESS OTHERWISE SPECIFIED:		NAME	DATE	<b>Cruisair</b>
		DIMENSIONS ARE IN INCHES TOLERANCES: FRACTIONAL ± ANGULAR: MACH ± BEND ± TWO PLACE DECIMAL ± THREE PLACE DECIMAL ±		DRAWN	RMS	
		INTERPRET GEOMETRIC TOLERANCING PER:		CHECKED		TITLE: GENERIC "REU" TYPE REMOTE EVAPORATOR REU4-16
		MATERIAL		ENG APPR.		
NEXT ASSY		USED ON		MFG APPR.		SIZE <b>B</b> DWG. NO. <b>REU UNIT</b> REV <b>REV-O.I.</b>
APPLICATION		DO NOT SCALE DRAWING		Q.A.		
				COMMENTS:		SCALE: 1:8 WEIGHT: SHEET 1 OF 1